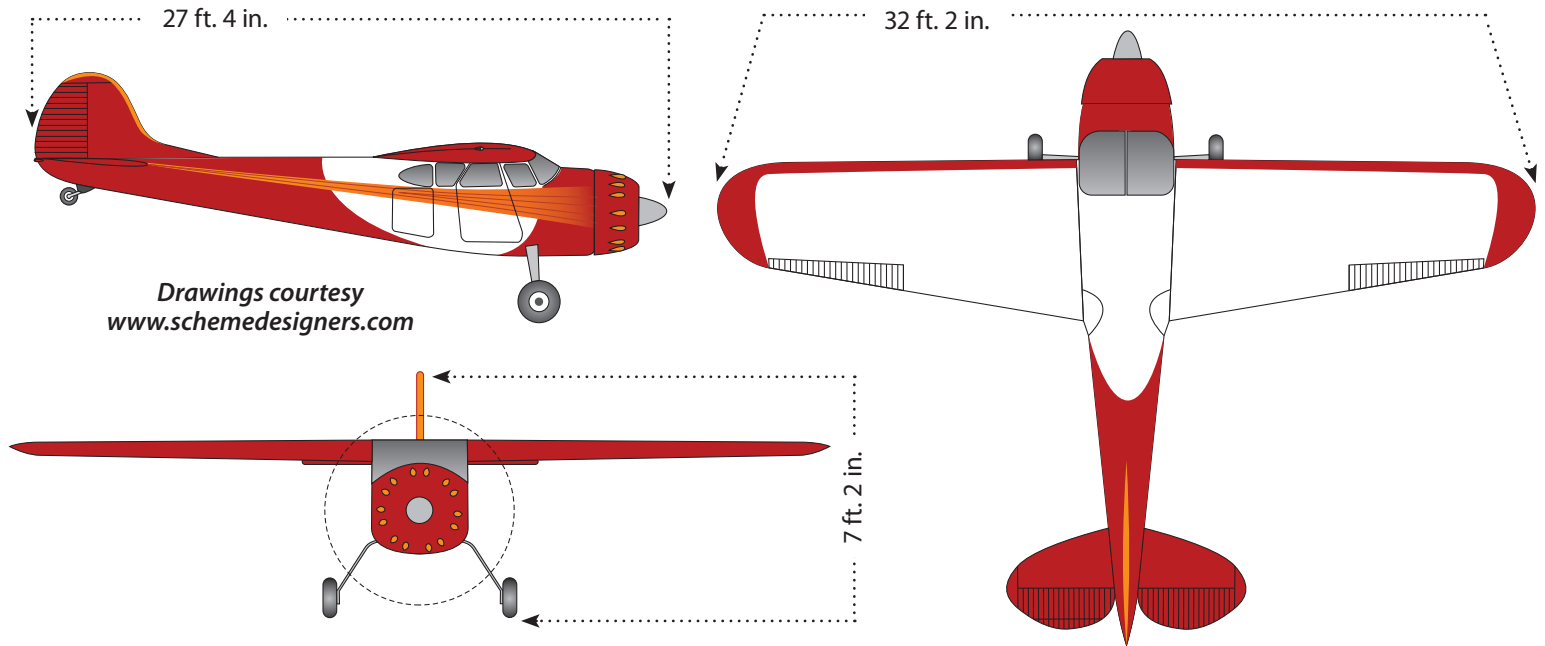


CESSNA 195 BUSINESSLINER

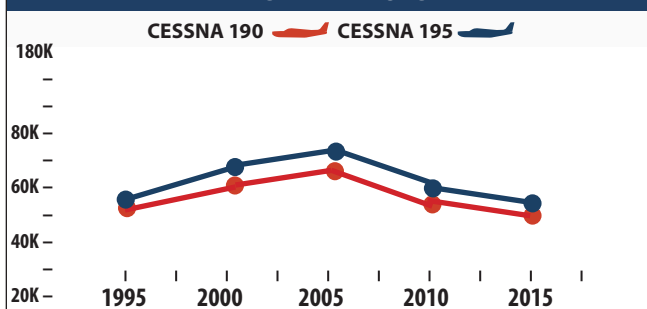


Drawings courtesy www.schemedesigners.com

CESSNA 195 BUSINESSLINER MODEL HISTORY

MODEL YEAR	ENGINE	TBO	OVERHAUL	FUEL	USEFUL LOAD	CRUISE	TYPICAL RETAIL
1947-53 CESSNA 190	CONT 240-HP W-670-23	1000	\$25,000	80	1250 LBS	135 KTS	+\$55,000
1947-53 CESSNA 195A	JACOBS 245-HP R-755-9	1200	\$25,000	80	1200 LBS	135 KTS	+\$60,000
1947-53 CESSNA 195	JACOBS 300-HP R-755-A2	1200	\$25,000	80	1200 LBS	140 KTS	+\$70,000
1952-54 CESSNA 195B	JACOBS 275-HP R-755-B2	1200	\$25,000	80	1200 LBS	138 KTS	+\$80,000

RESALE VALUES



SELECT RECENT ADS

- AD 04-21-08** MAGNESIUM AILERON HINGES
- AD 84-10-01** BLADDER FUEL CELLS
- AD 79-08-03** CIGAR LIGHTER MODS
- AD 87-20-03 R2** SEAT TRACK INSPECTION
- AD-63-20-02** WING SPAR CARRY THROUGH

SELECT MODEL COMPARISONS

PAYLOAD/FULL FUEL		CRUISE SPEEDS		PRICE COMPARISONS	
Cessna 190	~650	Cessna 190	~130	1950 Cessna 190	\$55,000
Cessna 195	~700	Cessna 195	~140	Cessna 195A	+\$72,000 (RESTORED)
N. AMERICAN NAVION	~850	NAVION	~150	1969 RANGEMASTER	\$59,000
Cessna 185	~850	Cessna 185	~135	Cessna 185	\$70,000