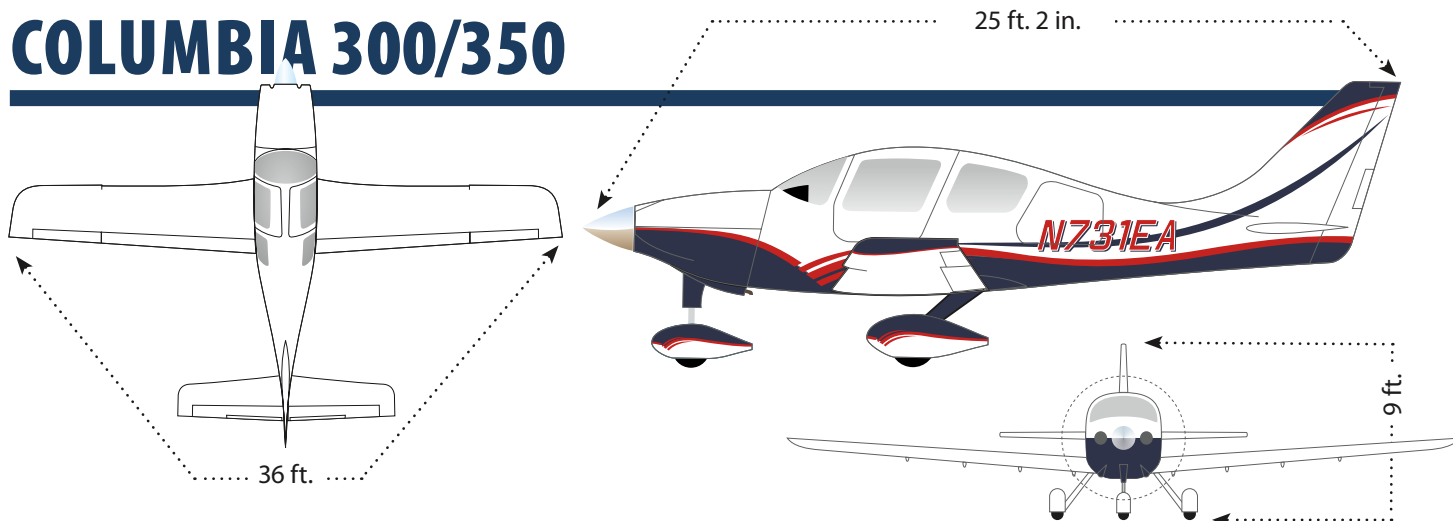


COLUMBIA 300/350

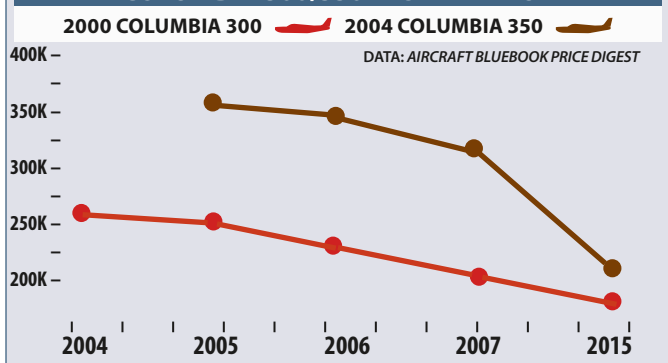


Drawings courtesy www.schemedesigners.com

COLUMBIA 300/350 MODEL HISTORY

MODEL YEAR	ENGINE	TBO	OVERHAUL	FUEL	USEFUL LOAD	CRUISE	TYPICAL RETAIL
2000 COLUMBIA 300 (LC40-55FG)	CONTINENTAL IO-550-N	2000	\$33,000	106	1150 LBS	190 KTS	±\$150,000
2001/2 COLUMBIA 300 (LC40-550 FG)	CONTINENTAL IO-550-N	2000	\$33,000	106	1150 LBS	190 KTS	±\$165,000
2003 COLUMBIA 300 (LC40-550FG)	CONTINENTAL IO-550-N	2000	\$33,000	106	1150 LBS	190 KTS	±\$180,000
2003 COLUMBIA 350 (LC42-550FG)	CONTINENTAL IO-550-N	2000	\$33,000	106	1100 LBS	179 KTS	±\$200,000
2004 COLUMBIA 350 (LC42-550FG)	CONTINENTAL IO-550-N	2000	\$33,000	106	1100 LBS	179 KTS	±\$210,000
2005 COLUMBIA 350 (LC42-550 LG)	CONTINENTAL IO-550-N	2000	\$33,000	106	1100 LBS	179 KTS	±\$220,000
2006/7 COLUMBIA 350 (LC42-550FG)	CONTINENTAL IO-550-N	2000	\$33,000	106	1100 LBS	179 KTS	±\$330,000
2008/9 CESSNA 350 CORVALIS	CONTINENTAL IO-550-N	2000	\$33,000	106	1100 LBS	179 KTS	±\$300,000
2010/11 CESSNA 350 CORVALIS	CONTINENTAL IO-550-N	2000	\$33,000	106	1100 LBS	179 KTS	±\$450,000

COLUMBIA 300/350 RESALE VALUE

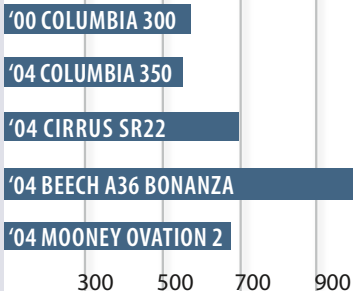


SELECT HISTORICAL ADS

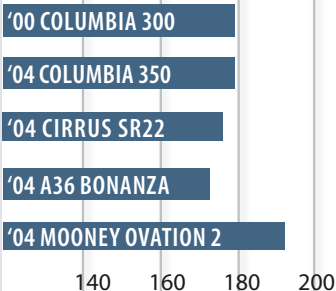
- AD 2008-06-28 LIMITATION ON AVIDYNE PFD UNDER CERTAIN CONDITIONS
- AD 2007-07-06 REPETITIVELY INSPECT AILERON AND ELEVATOR LINEAR BEARINGS
- AD 2006-25-08 DEACTIVATE KELLY AEROSPACE THERMAWING DEICING SYSTEM
- AD 2005-02-01 REVISE THE AFM'S TAKEOFF CHART DISTANCE VALUES

SELECT LATE-MODEL COMPARISONS

PAYLOAD/FULL FUEL



CRUISE SPEEDS



PRICE COMPARISONS

